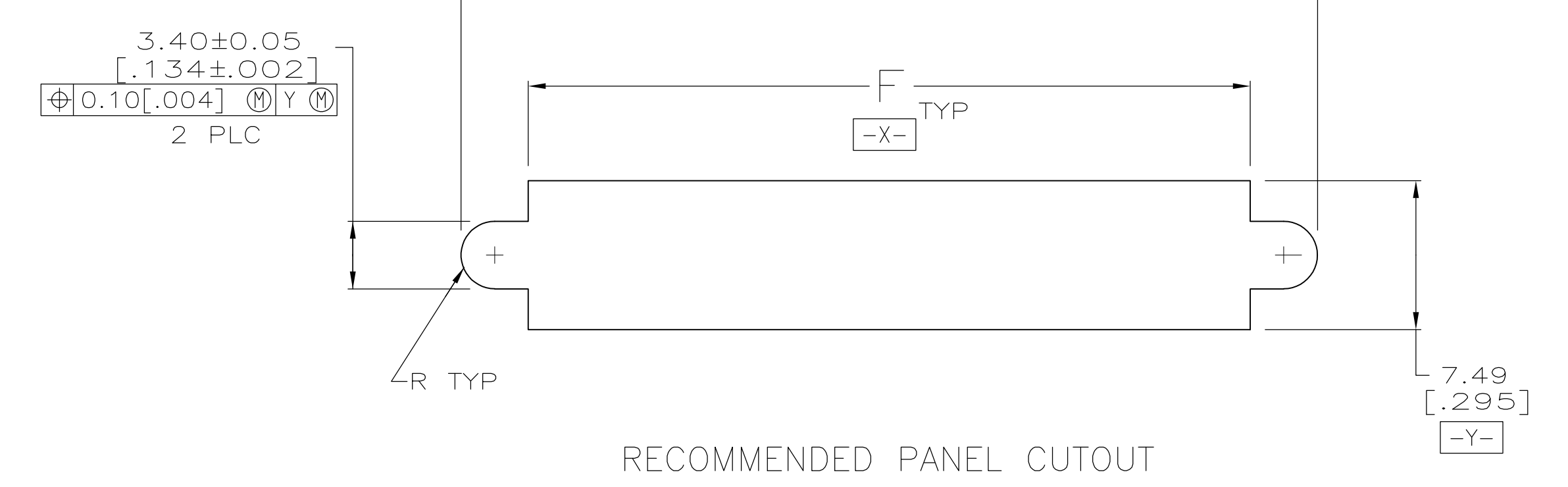
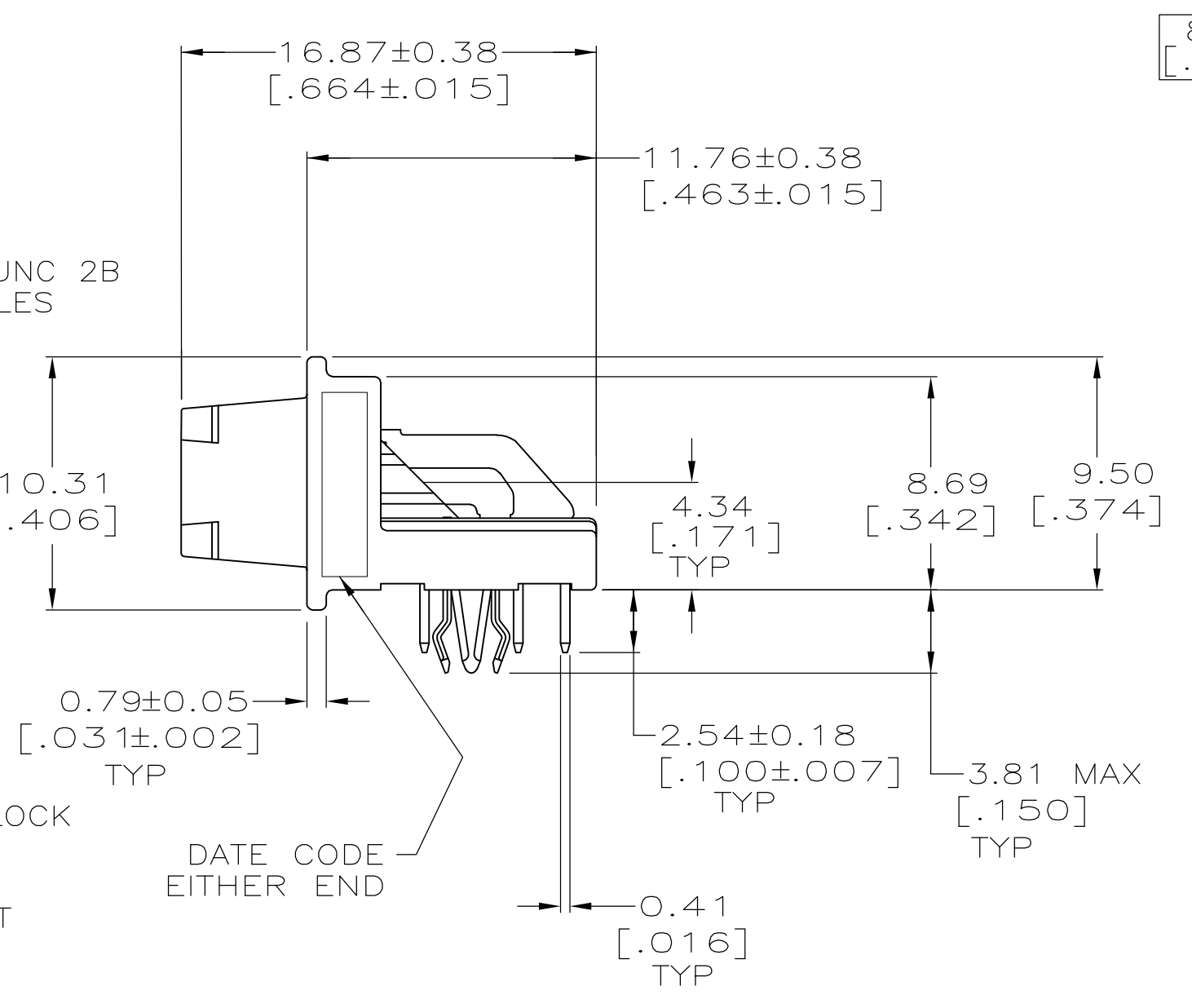
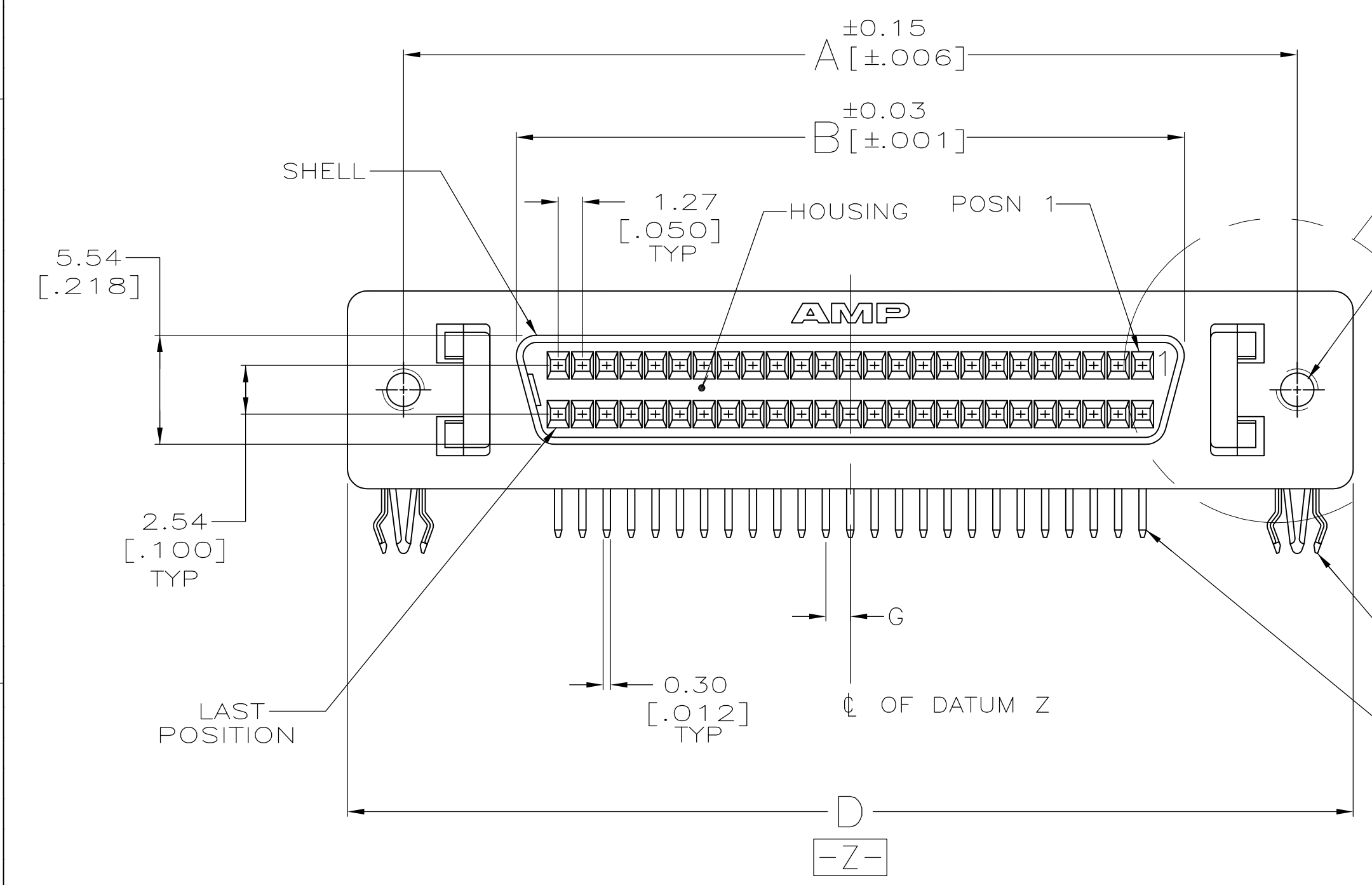
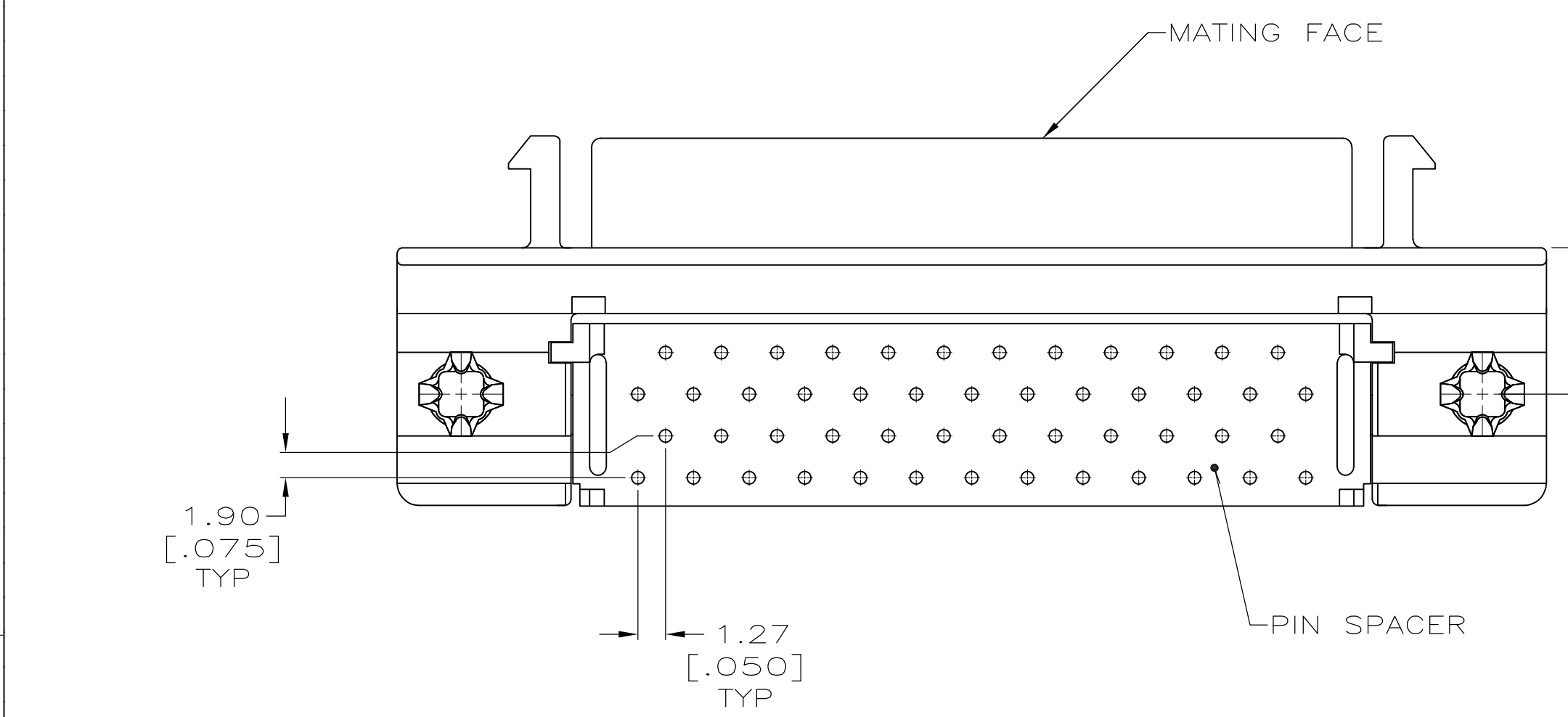


P.C. BOARD MOUNTING DIMENSIONS
CONNECTOR SIDE
P.C. BOARD THICKNESS 1.57±0.20 [.062±.008]



RECOMMENDED PANEL CUTOUT



- CONTACTS: PHOSPHOR BRONZE
- HOUSING & PIN SPACER: UL 94V-0 RATED, THERMOPLASTIC, BLACK
- BRACKET: ZINC
- SHELL: CARBON STEEL
- BOARDLOCKS: COPPER ALLOY
- CONTACTS: EITHER 0.76µm [.000030] MIN GOLD PLATE FOR A LENGTH OF 0.64 [.025] MAX, 0.13 [.005] MIN FROM MATING END OR GOLD FLASH OVER PALLADIUM NICKEL PLATE, 0.76µm [.000030] MIN TOTAL FOR A LENGTH OF 0.64 [.025] MAX, 0.13 [.005] MIN FROM MATING END. 3.81µm [.000150] MIN TIN ON OPPOSITE END FOR A LENGTH OF 2.72 [.107] MIN, BOTH OVER 1.27µm [.000050] MIN NICKEL.
- SHELL: 5.08µm [.000200] MIN NICKEL OVER 1.27µm [.000050] MIN COPPER.
- BRACKET: 2.54µm [.000100] MIN NICKEL OVER 5.08µm [.000200] COPPER.
- BOARDLOCKS: 5.08µm [.000200] MIN TIN OVER 1.27µm [.000050] MIN NICKEL.

46.48	1.27	42.80	48.92	52.45	34.70	46.48	50	5787395-5
[1.830]	[.050]	[1.685]	[1.926]	[2.065]	[1.366]	[1.830]		
L	G	F	E	D	B	A	NO OF POSN	PART NUMBER

**COPYRIGHT 2005
TYCO ELECTRONICS CORP
ALL RIGHTS RESERVED**

THIS DRAWING IS A CONTROLLED DOCUMENT.

DIMENSIONS: mm [INCHES]	TOLERANCES UNLESS OTHERWISE SPECIFIED:	DWN G. ATTADIA - 02-14-05	APPROV S. SHUEY - 02-14-05	Tyco Electronics Corporation Harrisburg, PA 17105-3608
0 PLC ± -	1 PLC ± -	APPROV M. WALMSLEY - 02-14-05	NAME	RECEPTACLE ASSEMBLY, SHIELDED, RIGHT ANGLE, .050 SERIES, AMPLIMITE
2 PLC ± 0.13 [.005]	3 PLC ± -	PRODUCT SPEC	108-1228	
4 PLC ± -	ANGLES ± -	APPLICATION SPEC	114-40029	SIZE CAGE CODE DRAWING NO
MATERIAL	FINISH	WEIGHT	-	A1 00779 ©=5787395
		CUSTOMER DRAWING	SCALE 4:1	SHEET 1 OF 1 REV B